

Technical data / delivery volume

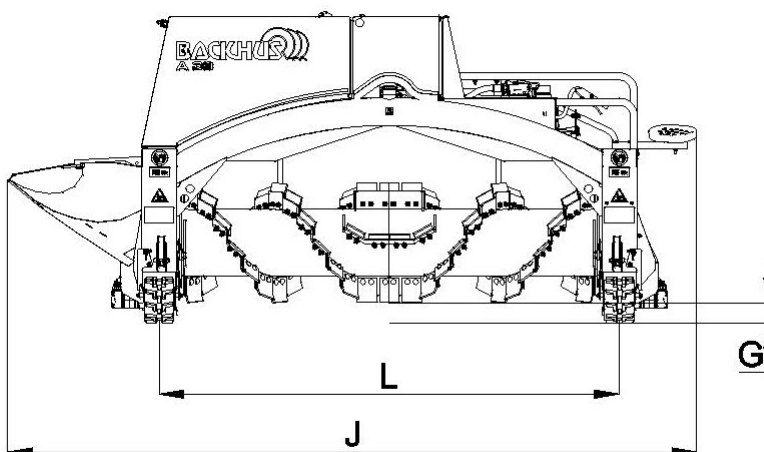
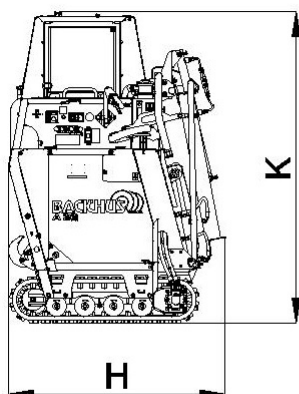
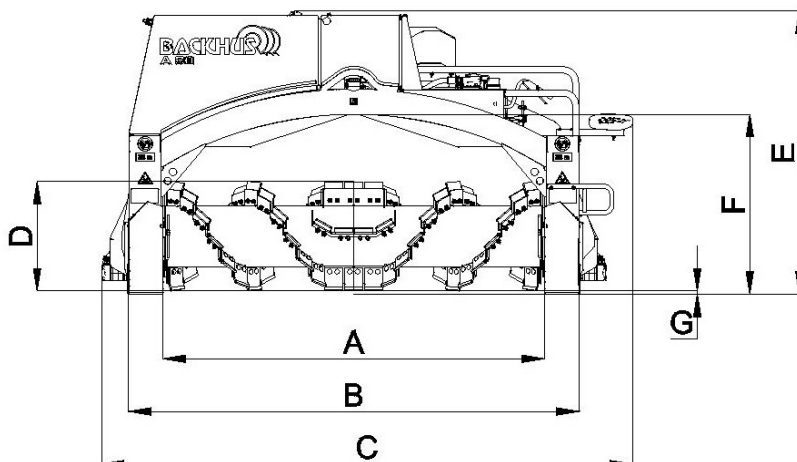
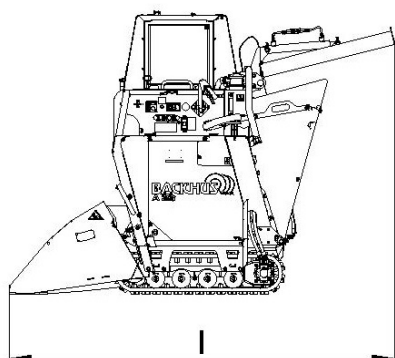


Figure similar

BACKHUS		A 30	
Working Data			
windrow width up to	B	m	3
windrow height up to		m	1.3
windrow cross section		m ²	2.2
surface utilization*		m ³ /m ²	0.74
width track clearer		m	0.22
cleaning share		%	2.2
contamination size up to		mm	150
windrow movement during turning approx.		m	1.5
turning capacity up to		m ³ /h	700
rotor torque		Nm	1,300
rotor rotation speed		rpm	400
standard tools		pieces	62

* at a dumping angle of 45°

** Values may differ depending upon equipment.

Dimensions work			A 30
rotor diameter	D	mm	730
length	I	mm	2,600
width	C	mm	3,550
height	E	mm	1,950
clearance width	A	mm	2,570
clearance height	F	mm	1,200
minimum ground clearance	G	mm	10
maximum ground clearance	G	mm	100
Dimensions transport			A 30
transport width	H	mm	1,350
transport length	J	mm	4,200
transport height	K	mm	1,950
track width	L	mm	2,790
turning diameter		mm	4,400
speed forwards and backwards		m/min	0 - 50
weight up to**		t	1.9
maximum ground pressure**		kg/cm ²	0,59
Engine			A 30
type			Yanmar 4TNV88 33 kW (45 PS) @ 2.400 or Yanmar 4TNV88 35,4 kW (48 PS) @ 3.000
emission level			IV EuroMot / Tier 4 or III A EuroMot / Tier 3
cylinder			4
three-phase generator		V / A	12 / 40
battery		V / Ah	12 / 88
fuel tank		l	50

* at a dumping angle of 45°

** Values may differ depending upon equipment.

Frame

portal frame
corrosion-resistant 2-color lacquer coating
Steel surfaces (except wear areas)
Sa 2 1/2 blasted with DIN EN ISO 12944-4
Coating in accordance with DIN EN ISO 12944-5
Category C2
Coat thickness 120µm (except powder coated areas)

Engine

Yanmar diesel engine
electrical start / stop- function

Undercarriage

compact track drives with rubber tracks
independant hydraulic drives in closed circuit, infinitely
variable adjustable

Rotor

hydraulic drive in closed circuit
RPM adjustable under load
turning direction reversible
infinitely variable height adjustment under load
bolted BACKHUS-standard-tools
easily and quickly exchangeable

Hydraulic tailgate

Track clearer

automatic "Float feature" to compensate for uneven
surfaces

hydraulically liftable

Delivery accessories

operating instructions and spare part catalogue according
to CE-standard

one copy operating instructions in German and one copy in
the official language of the European country of application
(outside of Europe: English).

No machine commissioning included